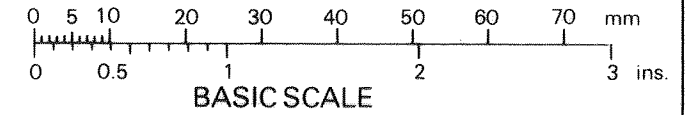


DRG. No.
BL/D 6341/01 INST
USED ON

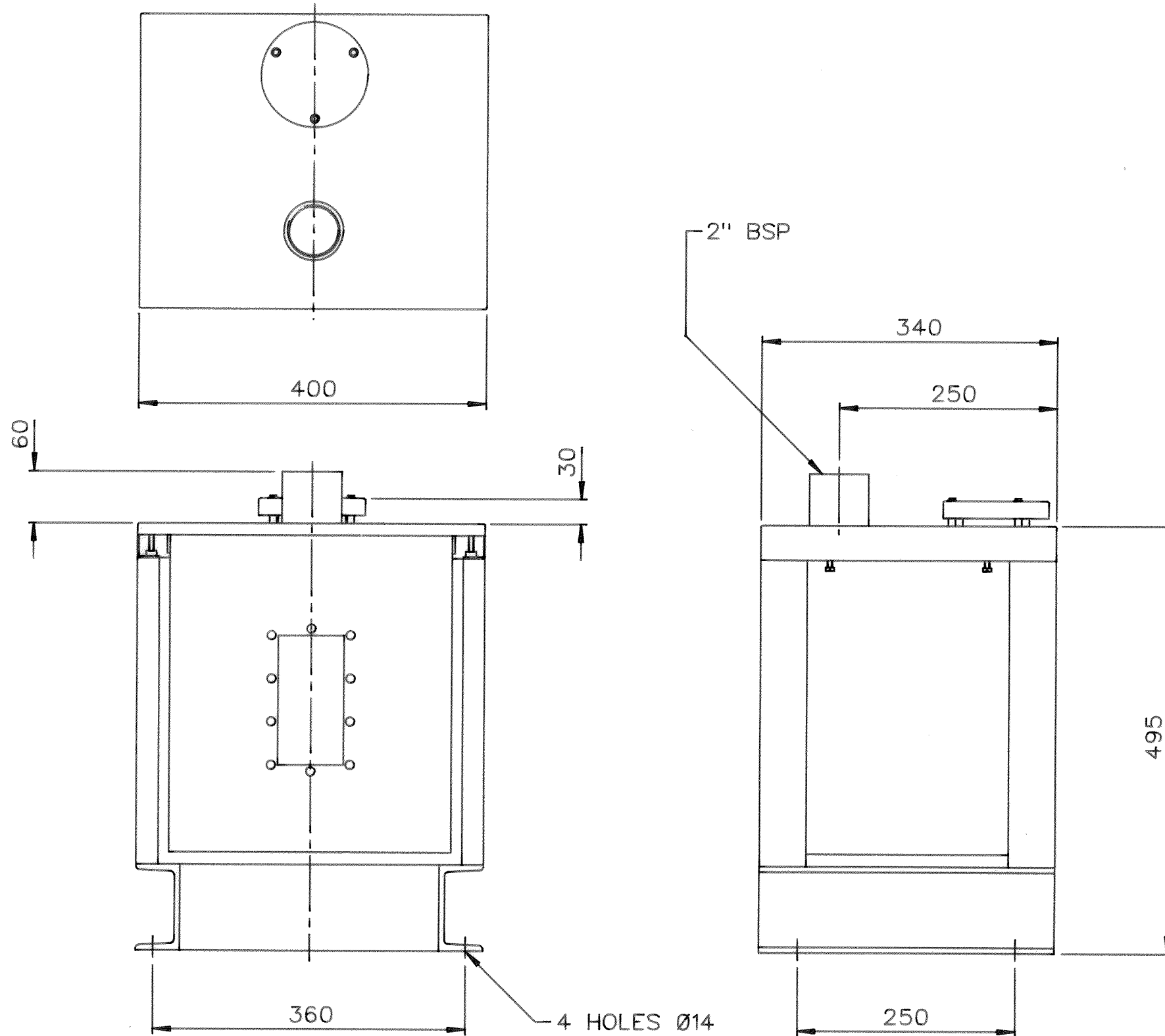
THIRD ANGLE PROJECTION

REMOVE ALL SHARP EDGES UNLESS SPECIFIED.

DO NOT SCALE - ASK.



THIS DESIGN IS THE PROPERTY OF BROWNELL LTD. AND MAY NOT BE COPIED OR REPRODUCED WITHOUT THEIR PRIOR WRITTEN PERMISSION.



NOTE: UNIT FILLED WITH INDICATING SILICA GEL DESICCANT.

MATL & FINISH ADDED	4930	2	1/7/96
		1	17/7/95
CHANGE	MOD. No.	ISSUE	DATE

MATERIAL	PROTECTIVE TREATMENT	TOLERANCES UNLESS STATED	BROWNELL LTD. LONDON, N.W.10.	CUSTOMERS REF.	DRAWN	CHECKED	
MILD STEEL	PHOSPHATE DEF STAN 03-11 CLASS 2 POLYESTER POWDER COAT BLUE	DIMNS. IN INS /m.m.		TITLE	LJ		
EST. WT. —		SCALE (ORIGINAL) N.T.S		TANK VENT DRYER (620)	DRAWING No.		
				BL/D 6341/01 INST			