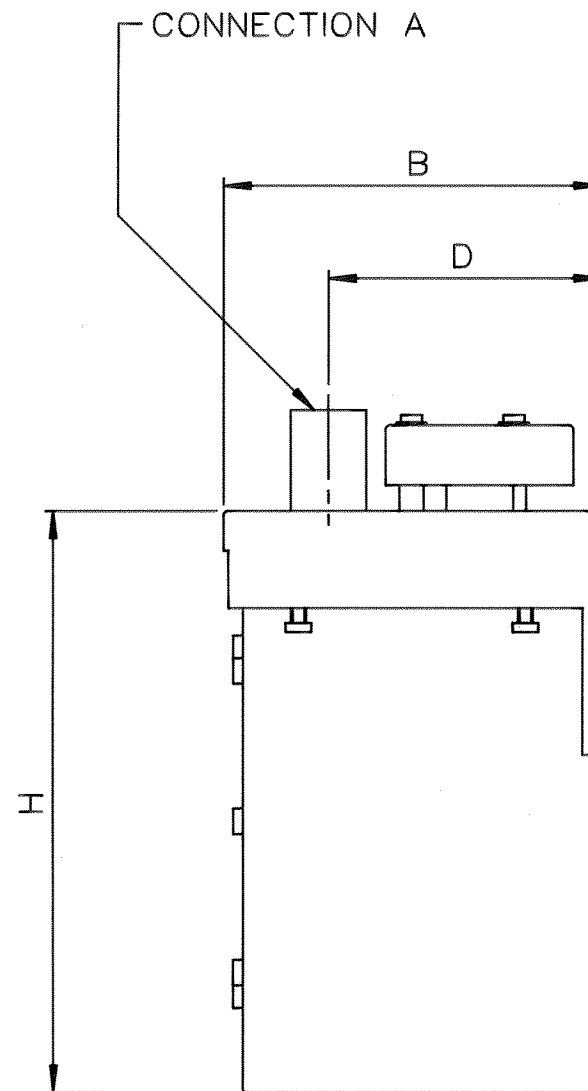
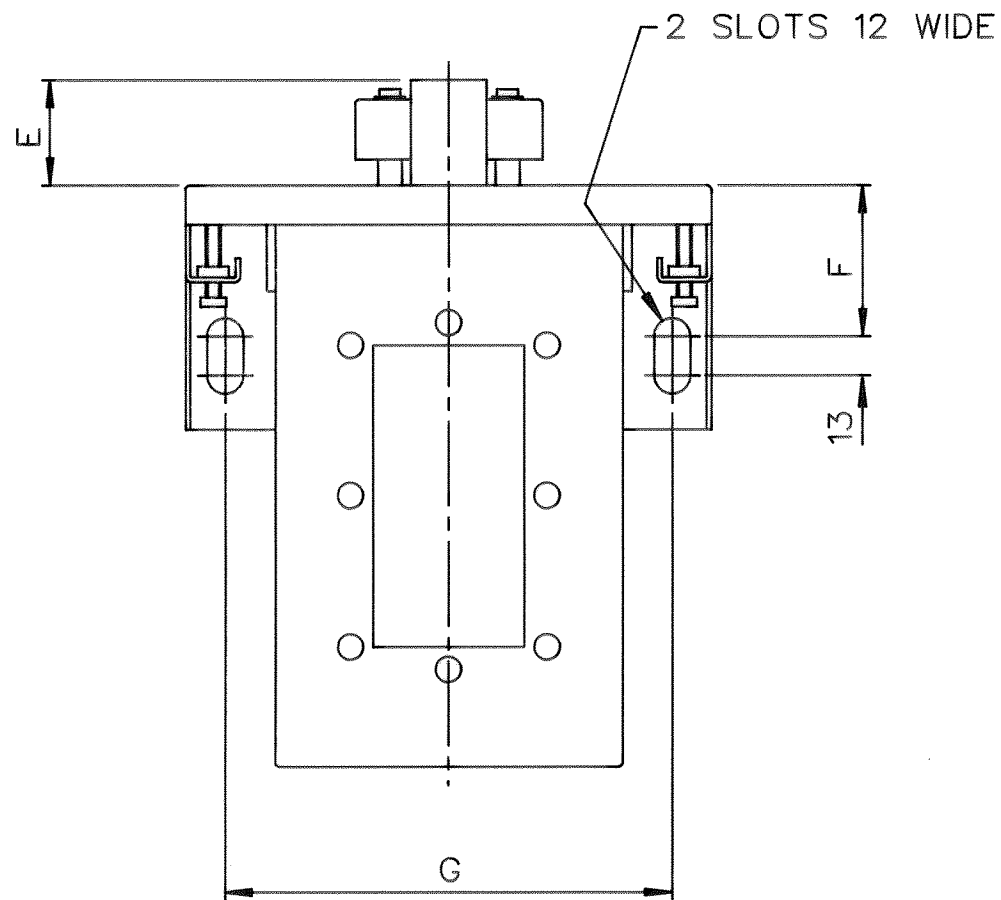
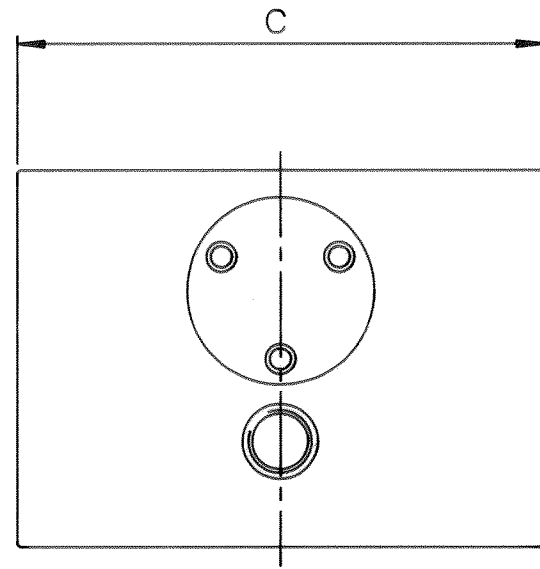
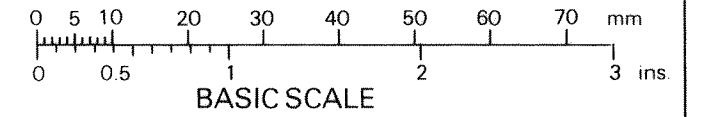


DRG. No.
BL/D 6340/01-03 INST
USED ON

THIRD ANGLE PROJECTION

REMOVE ALL SHARP EDGES UNLESS SPECIFIED.

DO NOT SCALE - ASK.



DRG No	BL/D6340/01	BL/D6340/02	BL/D6340/03
MODEL	605	610	615
DIMN A	0.5" BSP	1.0" BSP	1.5" BSP
DIMN B	125	171	256
DIMN C	174	220	305
DIMN D	90	125	190
DIMN E	35	45	48
DIMN F	50	50	50
DIMN G	146	194	260
DIMN H	193	381	381

NOTE: UNITS FILLED WITH INDICATING SILICA GEL DESICCANT.

CHANGE	MOD. No.	ISSUE	DATE
SLOT SIZE ADDED	5206	C	25/2/98
MATL & FINISH ADDED	4930	B	1/7/96
		A	12/7/95

MATERIAL MILD STEEL	PROTECTIVE TREATMENT PHOSPHATE DEF STAN 03-11 CLASS 2 POLYESTER POWDER COAT BLUE	TOLERANCES UNLESS STATED —	BROWNELL LTD. LONDON, N.W.10.		CUSTOMERS REF.	DRAWN LJ	CHECKED K
EST. WT. —		DIMNS. IN mm /m.m. SCALE (ORIGINAL) N.T.S	TITLE TANK VENT DRYERS		DRAWING No. BL/D 6340/01-03 INST		

THIS DESIGN IS THE PROPERTY OF BROWNELL LTD. AND MAY NOT BE COPIED OR REPRODUCED WITHOUT THEIR PRIOR WRITTEN PERMISSION.