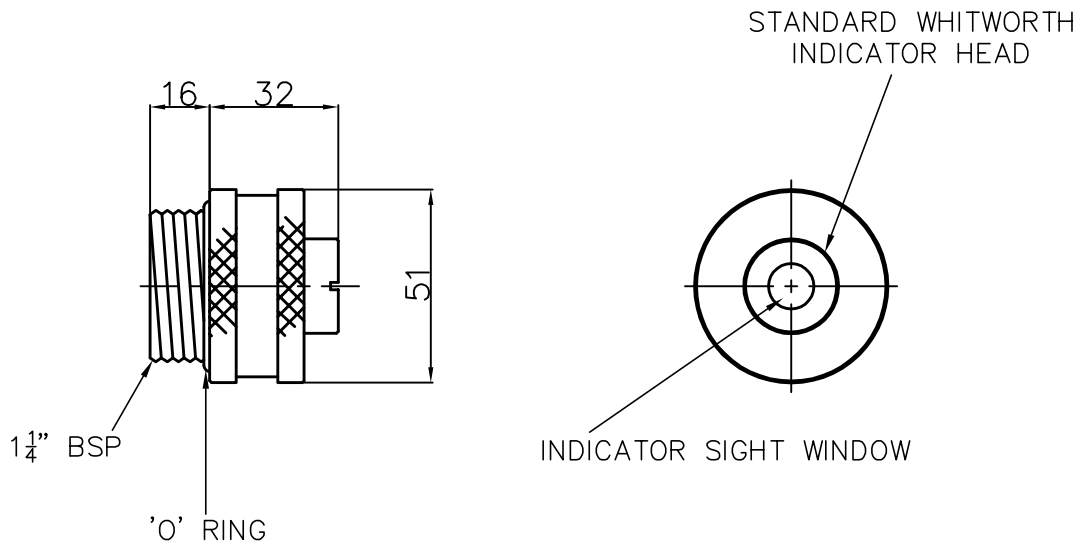


DRG No
BL/D 1099

THIRD ANGLE PROJECTION



USED ON

THIS DESIGN IS THE PROPERTY OF BROWNELL LTD, AND MAY NOT BE COPIED OR REPRODUCED WITHOUT THEIR PRIOR WRITTEN PERMISSION



NOTE:

1. REMOVE INDICATOR HEAD TO REACTIVATE.
2. REMOVE CIRCLIP & FILTER TO RECHARGE.
3. INDICATOR SIGHT WINDOW TO CONTAIN A PINK COMPARATOR RING.

MATERIAL ALUMINIUM	PROTECTIVE FINISH ANODISE & DYE BLACK				
		REDRAWN		3	09/08/10
EST. WT.	SURFACE ROUGHNESS	CHANGE	MOD No	ISSUE	DATE
DIMS IN mm		TOLERANCES ±0.4 UNLESS OTHERWISE STATED			
SCALE 1:2					
 RED DOT = ORIGINAL  BLACK DOT = COPY	BROWNELL LTD LONDON NW10 7XF		DRAWN JP	CHECKED	
TITLE DESICCANT CONTAINER DEHUMIDIFIER		DRAWING No. BL/D 1099			