

THIS DESIGN IS THE PROPERTY OF BROWNELL LTD.  
AND MAY NOT BE COPIED OR REPRODUCED  
WITHOUT THEIR PRIOR WRITTEN PERMISSION.

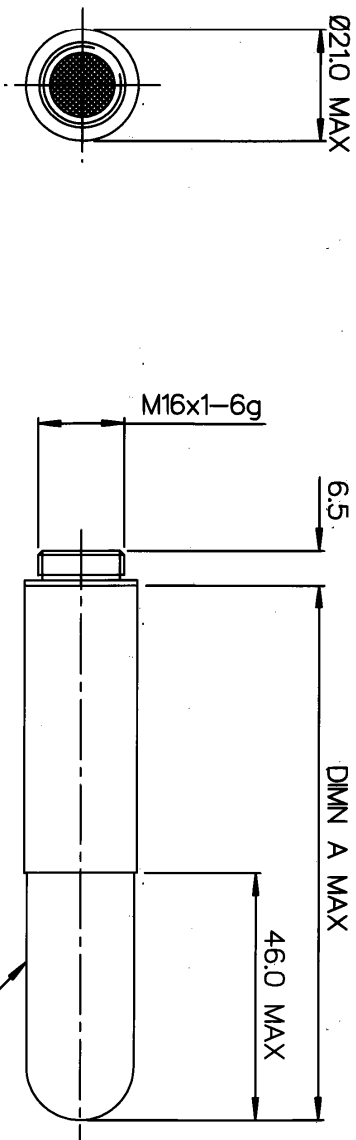
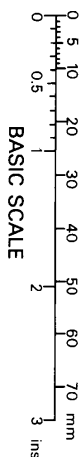
DRG. No. **BL/D3158/1-4 INST**

USED ON

REMOVE ALL SHARP EDGES UNLESS SPECIFIED.

THIRD ANGLE PROJECTION

DO NOT SCALE - ASK.



DRG No	STYLE	NATO STOCK No	DIMN A MAX	NOMINAL CONTENT	REFILL PART No	NATO STOCK No FOR REFILL
BL/D3158/1	RDF1MMS	4440-99-225-3246	60.0	10 GRMS	BL/D2771/2	4440-99-639-6243
BL/D3158/2	RDF2MMS	4440-99-225-3247	75.0	13 GRMS	BL/D2807/16	4440-99-225-3263
BL/D3158/3	RDF3MMS	4440-99-225-3248	100.0	17 GRMS	BL/D2807/17	4440-99-225-3264
BL/D3158/4	RDF4MMS	4440-99-225-3249	125.0	22 GRMS	BL/D2807/18	4440-99-225-3265

NOTES

- FILLED WITH MOLECULAR SIEVES DESICCANT - BS7444 GRADE 4A.
- CONFORMS TO DEF. STAN. 44-2 PART 2.
- PACKAGED FOR A SHELF LIFE OF 5 YEARS WHEN STORED IN TEMPERATE CONDITIONS.

MATERIAL ALUM ALLOY	PROTECTIVE TREATMENT ANODISED	TOLERANCES UNLESS STATED ±0.5	TITLE BROWNELL LTD. LONDON, N.W.10.		DRAWING No. BL/D3158/1-4 INST
EST. WT.		DIMNS. IN #ths./m.m. SCALE (ORIGINAL) 1 : 1	DESICCANT CONTAINER DEHUMIDIFIER (TUBULAR)		
			CUSTOMERS REF.	MOD. No.	ISSUE
				4011	5
			CHANGE		6/9/91